

# Dual Schottky Diode

## **20CJQ060**

60V / 2A

# DATASHEET

OEM – International Rectifier

Source: International Rectifier Databook 1995

# International Rectifier

PD - 2.479A

## 20CJQ060

### SCHOTTKY RECTIFIER

2 Amp

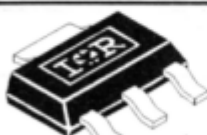
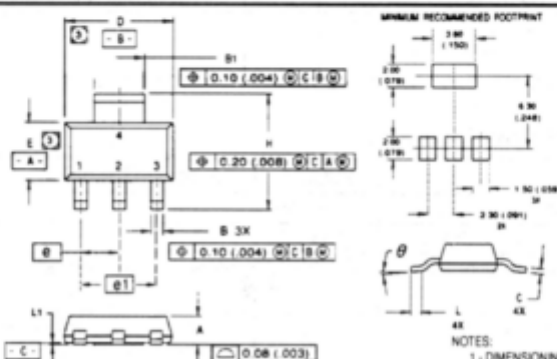
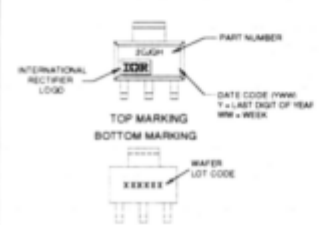
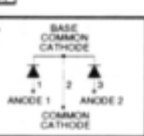
#### Major Ratings and Characteristics

Characteristics	20CJQ060	Units
$I_{F(AV)}$ Rectangular waveform	2.0	A
$V_{RRM}$	60	V
$I_{FSM}$ @ $t_p = 5\mu s$ sine	385	A
$V_f$ @ 1.0Apk, $T_J = 125^\circ C$ (per leg)	0.56	V
$T_J$	-55 to 150	$^\circ C$

#### Description / Features

The 20CJQ060 surface-mount Schottky rectifier has been designed for applications requiring very low forward drop and very small foot prints. Typical applications are in portables, switching power supplies, converters, automotive systems, free-wheeling diodes, battery charging and reverse battery protection.

- Small footprint, surface mountable
- Low profile
- Very low forward voltage drop
- High frequency operation
- Guard ring for enhanced ruggedness and long-term reliability
- Common Cathode

SOT-223																																																																		
CASE STYLE	CASE OUTLINE																																																																	
	 <table border="1" style="float: right; margin-top: 10px;"> <thead> <tr> <th>DIM</th> <th>MIN</th> <th>MAX</th> <th>MIN</th> <th>MAX</th> </tr> </thead> <tbody> <tr> <td>A</td> <td>1.55</td> <td>1.80</td> <td>.061</td> <td>.071</td> </tr> <tr> <td>B</td> <td>0.85</td> <td>0.85</td> <td>.026</td> <td>.033</td> </tr> <tr> <td>B1</td> <td>2.95</td> <td>3.15</td> <td>.116</td> <td>.124</td> </tr> <tr> <td>C</td> <td>0.25</td> <td>0.35</td> <td>.010</td> <td>.014</td> </tr> <tr> <td>D</td> <td>6.30</td> <td>6.70</td> <td>.248</td> <td>.264</td> </tr> <tr> <td>E</td> <td>3.30</td> <td>3.70</td> <td>.130</td> <td>.146</td> </tr> <tr> <td><math>\phi</math></td> <td>2.30 BSC</td> <td>.0905 BSC</td> <td></td> <td></td> </tr> <tr> <td><math>\phi 1</math></td> <td>4.60 BSC</td> <td>.181 BSC</td> <td></td> <td></td> </tr> <tr> <td>H</td> <td>6.71</td> <td>7.29</td> <td>.267</td> <td>.284</td> </tr> <tr> <td>L</td> <td>0.91</td> <td>—</td> <td>.036</td> <td>—</td> </tr> <tr> <td>L1</td> <td>0.061 BSC</td> <td>.0024 BSC</td> <td></td> <td></td> </tr> <tr> <td><math>\theta</math></td> <td>—</td> <td>10°</td> <td>—</td> <td>10°</td> </tr> </tbody> </table>	DIM	MIN	MAX	MIN	MAX	A	1.55	1.80	.061	.071	B	0.85	0.85	.026	.033	B1	2.95	3.15	.116	.124	C	0.25	0.35	.010	.014	D	6.30	6.70	.248	.264	E	3.30	3.70	.130	.146	$\phi$	2.30 BSC	.0905 BSC			$\phi 1$	4.60 BSC	.181 BSC			H	6.71	7.29	.267	.284	L	0.91	—	.036	—	L1	0.061 BSC	.0024 BSC			$\theta$	—	10°	—	10°
DIM		MIN	MAX	MIN	MAX																																																													
A	1.55	1.80	.061	.071																																																														
B	0.85	0.85	.026	.033																																																														
B1	2.95	3.15	.116	.124																																																														
C	0.25	0.35	.010	.014																																																														
D	6.30	6.70	.248	.264																																																														
E	3.30	3.70	.130	.146																																																														
$\phi$	2.30 BSC	.0905 BSC																																																																
$\phi 1$	4.60 BSC	.181 BSC																																																																
H	6.71	7.29	.267	.284																																																														
L	0.91	—	.036	—																																																														
L1	0.061 BSC	.0024 BSC																																																																
$\theta$	—	10°	—	10°																																																														
<h4>PART MARKING</h4> 	<div style="text-align: center;"> <h4>CIRCUIT</h4>  </div> <p>NOTES:                      1 - DIMENSIONING AND TOLERANCING PER ANSI Y14.5M, 1982.                      2 - CONTROLLING DIMENSION: INCH.                      3 - DIMENSIONS DO NOT INCLUDE MOLD FLASH.                      4 - CONFORMS TO JEDEC OUTLINE TO-261AA.</p>																																																																	

## 20CJQ060

### Voltage Ratings

Part number	20CJQ060
$V_R$ Max. DC Reverse Voltage (V)	60
$V_{RWM}$ Max. Working Peak Reverse Voltage (V)	

### Absolute Maximum Ratings

Parameters	20CJQ	Units	Conditions
$I_{F(AV)}$ Max. Average Forward Current See Fig. 5	2.0	A	50% duty cycle @ $T_C = 127^\circ\text{C}$ , rectangular waveform
	4.0	A	50% duty cycle @ $T_C = 109^\circ\text{C}$ , rectangular waveform
$I_{FSM}$ Max. Peak One Cycle Non - Repetitive Surge Current (Per Leg) See Fig. 7	385	A	5 $\mu\text{s}$ Sine or 3 $\mu\text{s}$ Rect. pulse
	22	A	10ms Sine Or 6ms Rect. pulse Following any rated load condition and with rated $V_{RWM}$ applied.
$E_{AS}$ Non - Repetitive Avalanche Energy (Per Leg)	10	mJ	$T_J = 25^\circ\text{C}$ , $I_{AS} = 1.0\text{A}$ , $L = 20\text{mH}$
$I_{AR}$ Repetitive Avalanche Current (Per Leg)	1.0	A	Current decaying linearly to zero in 1 $\mu\text{sec}$ Frequency limited by $T_J$ max. $V_A = 1.5 \times V_R$ typical

### Electrical Specifications

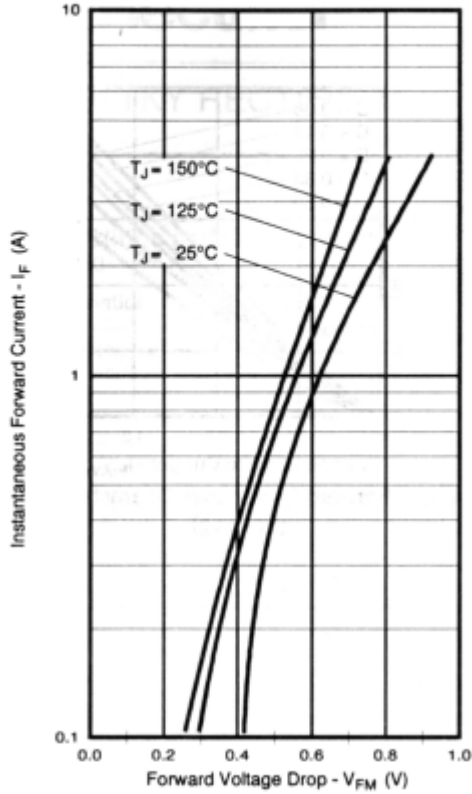
Parameters	20CJQ	Units	Conditions
$V_{FM}$ Max. Forward Voltage Drop (Per Leg) See Fig. 1	0.59	V	@ 1.0A
	0.75	V	@ 2.0A
	0.56	V	@ 1.0A
	0.67	V	@ 2.0A
$I_{RM}$ Max. Reverse Leakage Current (Per Leg) See Fig. 2	0.1	mA	$T_J = 25^\circ\text{C}$
	5.0	mA	$T_J = 125^\circ\text{C}$
$C_T$ Max. Junction Capacitance (Per Leg)	60	pF	$V_R = 5V_{DC}$ , (test signal range 100kHz to 1MHz) $25^\circ\text{C}$
$L_S$ Typical Series Inductance (Per Leg)	6.0	nH	Measured lead to lead 5mm from package body
$dv/dt$ Max. Voltage Rate of Change (Rated $V_R$ )	10,000	V/ $\mu\text{s}$	

### Thermal-Mechanical Specifications

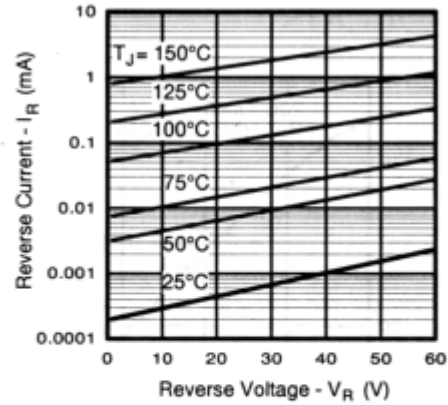
Parameters	20CJQ	Units	Conditions
$T_J$ Max. Junction Temperature Range	-55 to 150	$^\circ\text{C}$	
$T_{STG}$ Max. Storage Temperature Range	-55 to 150	$^\circ\text{C}$	
$R_{\theta JA}$ Max. Thermal Resistance, Junction to Ambient	65	$^\circ\text{C}/\text{W}$	DC operation
$R_{\theta JL}$ Max. Thermal Resistance, Junction to Lead	25	$^\circ\text{C}/\text{W}$	DC operation — see Fig. 4.
wt Approximate Weight	0.13(.0045)	g (oz.)	
Case Style	SOT-223		

⊕ Pulse Width < 300 $\mu\text{s}$ , Duty Cycle < 2%

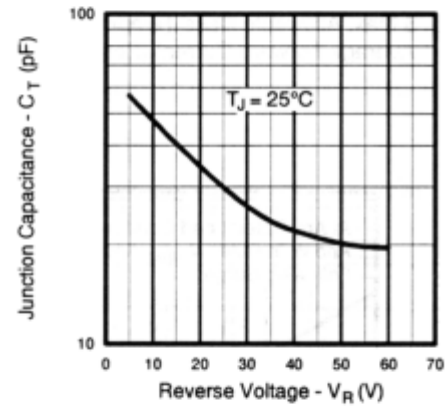
# 20CJQ060



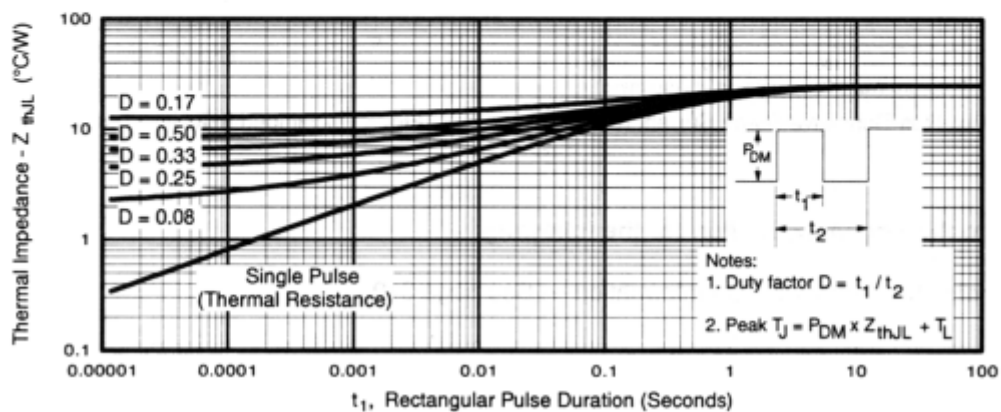
**Fig. 1** Max. Forward Voltage Drop Characteristics (Per Leg)



**Fig. 2** Typical Values of Reverse Current Vs. Reverse Voltage (Per Leg)

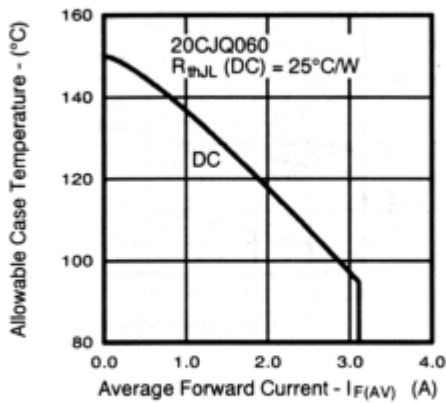


**Fig. 3** Typical Junction Capacitance Vs. Reverse Voltage (Per Leg)

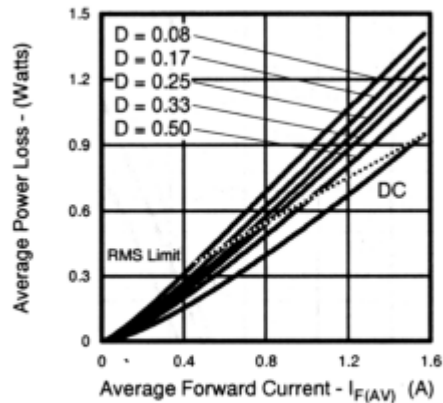


**Fig. 4** Max. Thermal Impedance  $Z_{thJL}$  Characteristics (Per Leg)

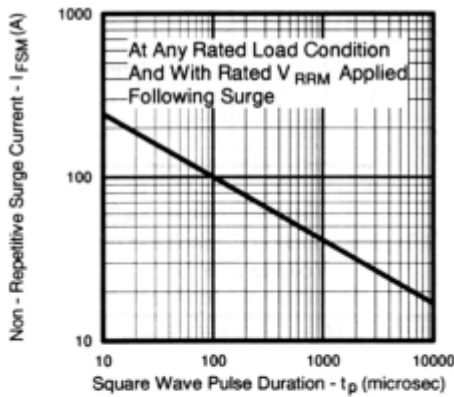
# 20CJQ060



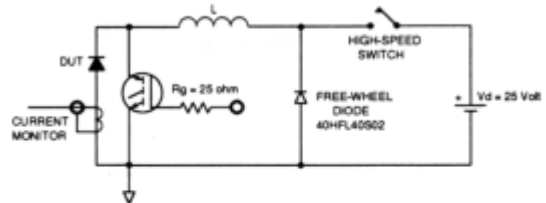
**Fig. 5** Max. Allowable Case Temperature Vs. Average Forward Current (Per Leg)



**Fig. 6** Forward Power Loss Characteristics (Per Leg)



**Fig.7** Max. Non-Repetitive Surge Current (Per Leg)



**Fig. 8** Unclamped Inductive Test Circuit

**Refer to the Appendix Section for the following:**

**Appendix D:** Tape and Reel Information — See page 340.