

# Bridge Rectifier

## **DF06S**

600V / 1A

# DATASHEET

from

[www.web-bcs.com](http://www.web-bcs.com)

OEM – General Semiconductor

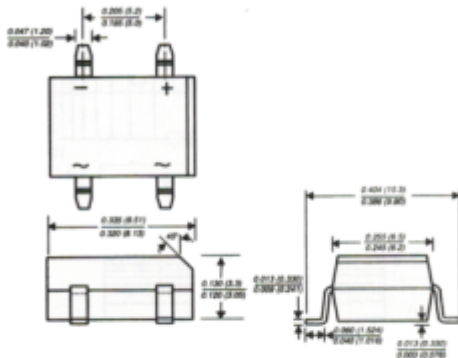
Source: General Semiconductor Databook 1998

# DF005S THRU DF10S

## MINIATURE GLASS PASSIVATED SINGLE-PHASE SURFACE MOUNT BRIDGE RECTIFIER

Reverse Voltage - 50 to 1000 Volts Forward Current - 1.0 Ampere

### Case Style DFS



Dimensions in inches and (millimeters)

### FEATURES

- ◆ Plastic package has Underwriters Laboratory Flammability Classification 94V-0
- ◆ This series is UL recognized under Component Index, file number E54214
- ◆ Glass passivated chip junctions
- ◆ High surge overload rating-50 amperes peak
- ◆ Ideal for printed circuit boards
- ◆ High temperature soldering guaranteed: 260°C/10 seconds at 5 lbs. (2.3kg) tension



### MECHANICAL DATA

**Case:** Molded plastic body over passivated junctions  
**Terminals:** Plated leads solderable per MIL-STD-750, Method 2026  
**Polarity:** Polarity symbols marked on body  
**Mounting Position:** Any  
**Weight:** 0.04 ounce, 1.0 gram

### MAXIMUM RATINGS AND ELECTRICAL CHARACTERISTICS

Ratings at 25°C ambient temperature unless otherwise specified.

|   | SYMBOLS      | DF 005S      | DF 01S | DF 02S | DF 04S | DF 06S | DF 08S | DF 10S | UNITS |
|---|--------------|--------------|--------|--------|--------|--------|--------|--------|-------|
| Maximum repetitive peak reverse voltage   | VRRM         | 50           | 100    | 200    | 400    | 600    | 800    | 1000   | Volts |
| Maximum RMS voltage   | VRMS         | 35           | 70     | 140    | 280    | 420    | 560    | 700    | Volts |
| Maximum DC blocking voltage   | VDC          | 50           | 100    | 200    | 400    | 600    | 800    | 1000   | Volts |
| Maximum average forward output rectified current at TA=40°C (NOTE 2)                                | I(AV)        | 1.0          |        |        |        |        |        |        | Amp   |
| Peak forward surge current single half sine-wave superimposed on rated load (JEDEC Method) TJ=150°C | IFSM         | 50.0         |        |        |        |        |        |        | Amps  |
| Rating for fusing (t < 8.3ms)   | It           | 10.0         |        |        |        |        |        |        | A'sec |
| Maximum instantaneous forward voltage drop per leg at 1.0A  | VF           | 1.1          |        |        |        |        |        |        | Volts |
| Maximum DC reverse current at rated DC blocking voltage per leg                                     | IR           | 5.0<br>500   |        |        |        |        |        |        | µA    |
| Typical junction capacitance per leg (NOTE 1)   | CJ           | 25.0         |        |        |        |        |        |        | pF    |
| Typical thermal resistance per leg (NOTE 2)   | REJA<br>REJL | 40.0<br>15.0 |        |        |        |        |        |        | °C/W  |
| Operating junction and storage temperature range  | TJ, TSTG     | -55 to +150  |        |        |        |        |        |        | °C    |

**NOTES:**

- (1) Measured at 1.0 MHz and applied reverse voltage of 4.0 Volts
- (2) Units mounted on P.C.B. with 0.51 x 0.51" (13 x 13mm) copper pads

**RATINGS AND CHARACTERISTICS CURVES DF005S THRU DF10S**

