

# IGBT Transistor Set

## **MP6752**

600V / 20A

# DATASHEET

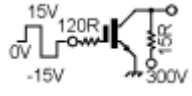
OEM – Toshiba

Source: Toshiba Databook 1995/96

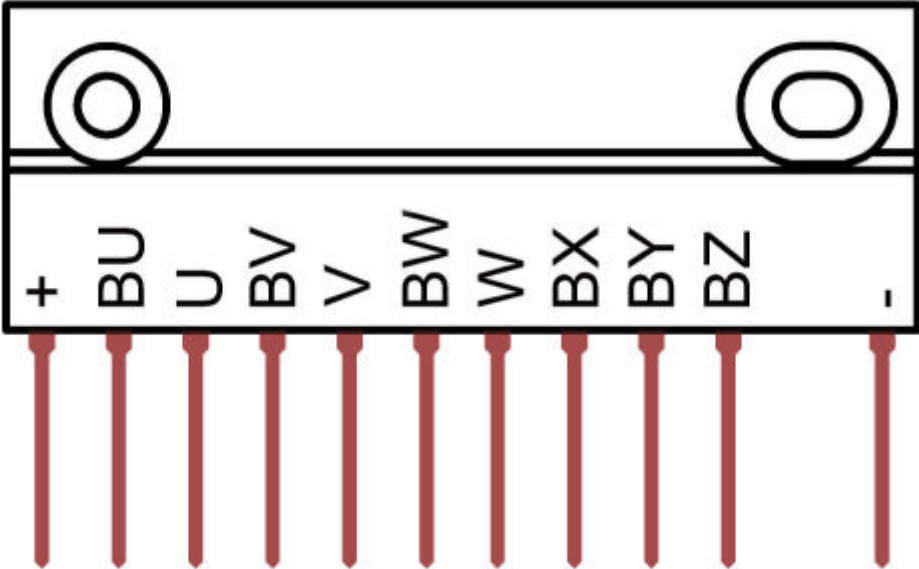
## MAXIMUM RATINGS (Tc=25°C)

CHARACTERISTIC	SYMBOL	RATING	UNIT
Collector-Emitter Voltage	Vces	600	V
Gate-Emitter Voltage	Vges	+/-20	V
Collector Current	DC	IC	20
	1ms	Icp	40
Forward Current	DC	If	20
	1ms	Ifm	40
Collector Power Dissipation	Pc	60	W
Junction Temperature	Tj	150	°C
Storage Temperature Range	Tstg	-40~125	°C
Isolation Voltage	Visol	2500 (AC 1min.)	V
Screw Torque	-	1,5	N*m

## ELECTRICAL CHARACTERISTICS (Tc=25°C)

CHARACTERISTICS	SYMBOL	TEST CONDITION	MIN.	TYP.	MAX.	UNIT
Gate Leakage Current	Iges	Uge=+/-20V, Vce=0	-	-	+20	uA
Collector Cut-off Current	Ices	Uce=600V, Uge=0	-	-	1.0	mA
Collector-Emitter Breakdown Voltage	U(br) CES	Ic=10mA, Uge=0	600	-	-	V
Gate-Emitter Cut-off Voltage	Uge (off)	Ic=20mA, Uce=5V	3.0	-	6.0	V
Collector-Emitter Saturation Voltage	Uce (sat)	IC=20A, Uge=15V	-	3.0	4.0	V
Input Capacitance	Cies	Uce=10V, Uge=0, f=1MHz	-	1320	-	pF
Switching Time	Rise Time		-	0.30	0.60	uS
	Turn-on Time		-	0.40	0.80	
	Fall Time		-	0.2	0.35	
	Turn-off Time		-	0.50	1.00	
Forward Voltage	Vf	If=20A, Uge=0	-	1.7	2.5	V
Reverse Recovery Time	trr	If=20A, Uge=-10V di/dt=50A/uS	-	0.08	0.15	uS
Termal Resistance	Rth (j-c)	Transistor	-	-	2.08	°C/W
		Diode	-	-	3.09	

2-78A1A



EQUIVALENT CIRCUIT

