

# Schottky Dual Diode

## **SBL2040PT**

40V / 20A

# DATASHEET

from

[www.web-bcs.com](http://www.web-bcs.com)

OEM – General Semiconductor

Source: General Semiconductor Databook 1998

# SBL2030PT AND SBL2040PT

## SCHOTTKY RECTIFIER

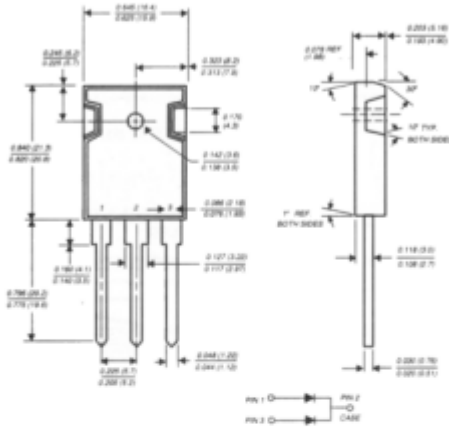
Reverse Voltage - 30 and 40 Volts Forward Current - 20.0 Amperes

### FEATURES

- ◆ Plastic package has Underwriters Laboratory Flammability Classifications 94V-0
- ◆ Metal silicon junction, majority carrier conduction
- ◆ Low power loss, high efficiency
- ◆ High current capability, low forward voltage drop
- ◆ High surge capability
- ◆ For use in low voltage, high frequency inverters, free wheeling, and polarity protection applications
- ◆ Dual rectifier construction, positive center-tap
- ◆ Guardring for overvoltage protection
- ◆ High temperature soldering guaranteed: 250°C/10 seconds, 0.17" (4.3mm) from case



### TO-247AD



Dimensions in inches and (millimeters)

### MECHANICAL DATA

**Case:** JEDEC TO-247AD molded plastic body

**Terminals:** Lead solderable per MIL-STD-750, Method 2026

**Polarity:** As marked

**Mounting Position:** Any

**Mounting Torque:** 10 in. - lbs. max.

**Weight:** 0.2 ounce, 5.6 grams

### MAXIMUM RATINGS AND ELECTRICAL CHARACTERISTICS

Ratings at 25°C ambient temperature unless otherwise specified.

	SYMBOLS	SBL2030PT	SBL2040PT	UNITS
Maximum repetitive peak reverse voltage	VRRM	30	40	Volts
Maximum RMS voltage	VRMS	21	28	Volts
Maximum DC blocking voltage	VDC	30	40	Volts
Maximum average forward rectified current at T <sub>C</sub> =105°C	I(AV)	20.0		Amps
Peak forward surge current, 8.3ms single half sine-wave superimposed on rated load (JEDEC Method)	IFSM	250.0		Amps
Maximum instantaneous forward voltage per leg at 10.0A (NOTE 1)	V <sub>F</sub>	0.55		Volts
Maximum instantaneous current at rated DC blocking voltage per leg (NOTE 1)	I <sub>R</sub>	1.0	50.0	mA
Typical thermal resistance per leg (NOTE 2)	R <sub>θJC</sub>	1.5		°C/W
Operating junction and storage temperature range	T <sub>J</sub> , T <sub>STG</sub>	-40 to +125		°C

**NOTES:**

- (1) Pulse test: 300µs pulse width, 1% duty cycle
- (2) Thermal resistance from junction to case per leg

**RATINGS AND CHARACTERISTIC CURVES SBL2030PT AND SBL2040PT**

