

Bridge Rectifier

GBU4J

600V / 4A

DATASHEET

from

www.web-bcs.com

OEM – General Semiconductor

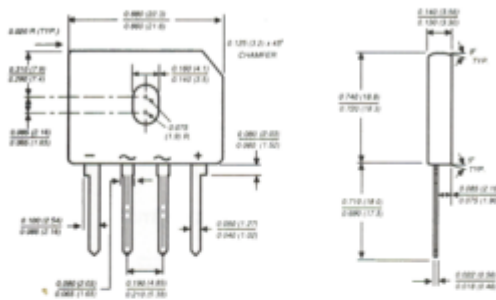
Source: General Semiconductor Databook 1998

GBU4A THRU GBU4M

GLASS PASSIVATED SINGLE-PHASE BRIDGE RECTIFIER

Reverse Voltage - 50 to 1000 Volts Forward Current - 4.0 Amperes

Case Style GBU



Polarity shown on front side of case, positive lead by beveled corner

Dimensions in inches and (millimeters)

FEATURES

- ◆ Plastic package has Underwriters Laboratory Flammability Classification 94V-0
- ◆ This series is UL listed under the Recognized Component Index, file number E54214
- ◆ High case dielectric strength of 1500 VRMS
- ◆ Ideal for printed circuit boards
- ◆ Glass passivated chip junction
- ◆ High surge current capability
- ◆ High temperature soldering guaranteed: 260°C/10 seconds, 0.375 (9.5mm) lead length, 5lbs. (2.3kg) tension



MECHANICAL DATA

Case: Molded plastic body over passivated junctions

Terminals: Plated leads solderable per MIL-STD-750, Method 2026

Mounting Position: Any (NOTE 4)

Mounting Torque: 5 in. - lb. max.

Weight: 0.015 ounce, 4.0 grams

MAXIMUM RATINGS AND ELECTRICAL CHARACTERISTICS

Ratings at 25°C ambient temperature unless otherwise specified.

	SYMBOLS	GBU 4A	GBU 4B	GBU 4D	GBU 4G	GBU 4J	GBU 4K	GBU 4M	UNITS	
Maximum repetitive peak reverse voltage	VRRM	50	100	200	400	600	800	1000	Volts	
Maximum RMS voltage	VRMS	35	70	140	280	420	560	700	Volts	
Maximum DC blocking voltage	VDC	50	100	200	400	600	800	1000	Volts	
Maximum average forward rectified output current at TC=100°C (NOTE 1) TA=40°C (NOTE 2)	IAV	4.0						3.0		Amps
Peak forward surge current single sine-wave superimposed on rated load (JEDEC Method)TJ=150°C	IFSM	150.0								Amps
Rating for fusing (t<8.3ms)	It	93.0								A'sec
Maximum instantaneous forward voltage drop per leg at 4.0A	VF	1.0								Volts
Maximum DC reverse current at rated DC blocking voltage per leg TA=25°C TA=125°C	IR	5.0						500.0		µA
Typical junction capacitance per leg (NOTE 3)	CJ	100.0				45.0				pF
Typical thermal resistance per leg (NOTE 2) (NOTE 1)	REJA REJC	22.0						4.2		°C/W
Operating junction and storage temperature range	TJ, TSTG	-55 to +150								°C

NOTES:

- (1) Unit case mounted on 1.6 x 1.6 x 0.06" thick (4.0 x 4.0 x 0.15cm) Al. Plate
- (2) Units mounted on P.C.B. with 0.5 x 0.5" (12 x 12mm) copper pads and 0.375" (9.5mm) lead length
- (3) Measured at 1.0 MHz and applied reverse voltage of 4.0 Volts
- (4) Recommended mounting position is to bolt down on heatsink with silicone thermal compound for maximum heat transfer with #6 screw

RATINGS AND CHARACTERISTICS CURVES GBU4A THRU GBU4M

